

VALVES

From

PATCO
MACH. & FAB., INC.

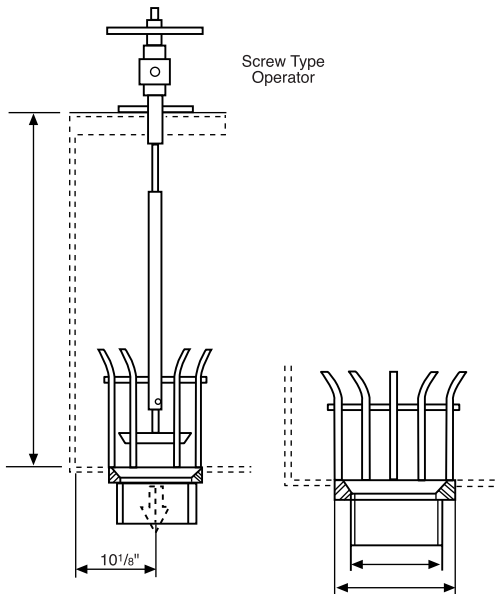


DUMP VALVE

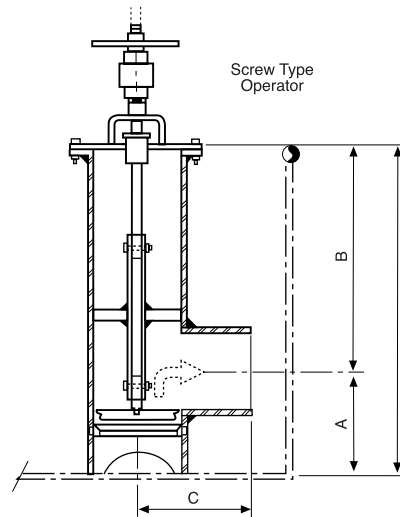
We offer a complete line of Patco suction valves and dump valves. They are available in 6", 8", 10", and 12" sizes with screw type operators. All valves are manufactured to suit customers' tank depth, suction height, and suction line requirements.



SUCTION VALVE

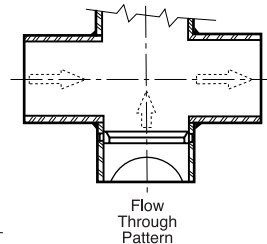


When Ordering Specify:
Size of Valve, Tank Depth



When Ordering Specify:
Dim. A, Dim. B, Dim. C., and Type Flow Pattern

Note:
This valve
available with
any combination
of operator and
flow pattern



A DIVISION OF BOB HERBERT & ASSOCIATES, INC.
www.bhde.com