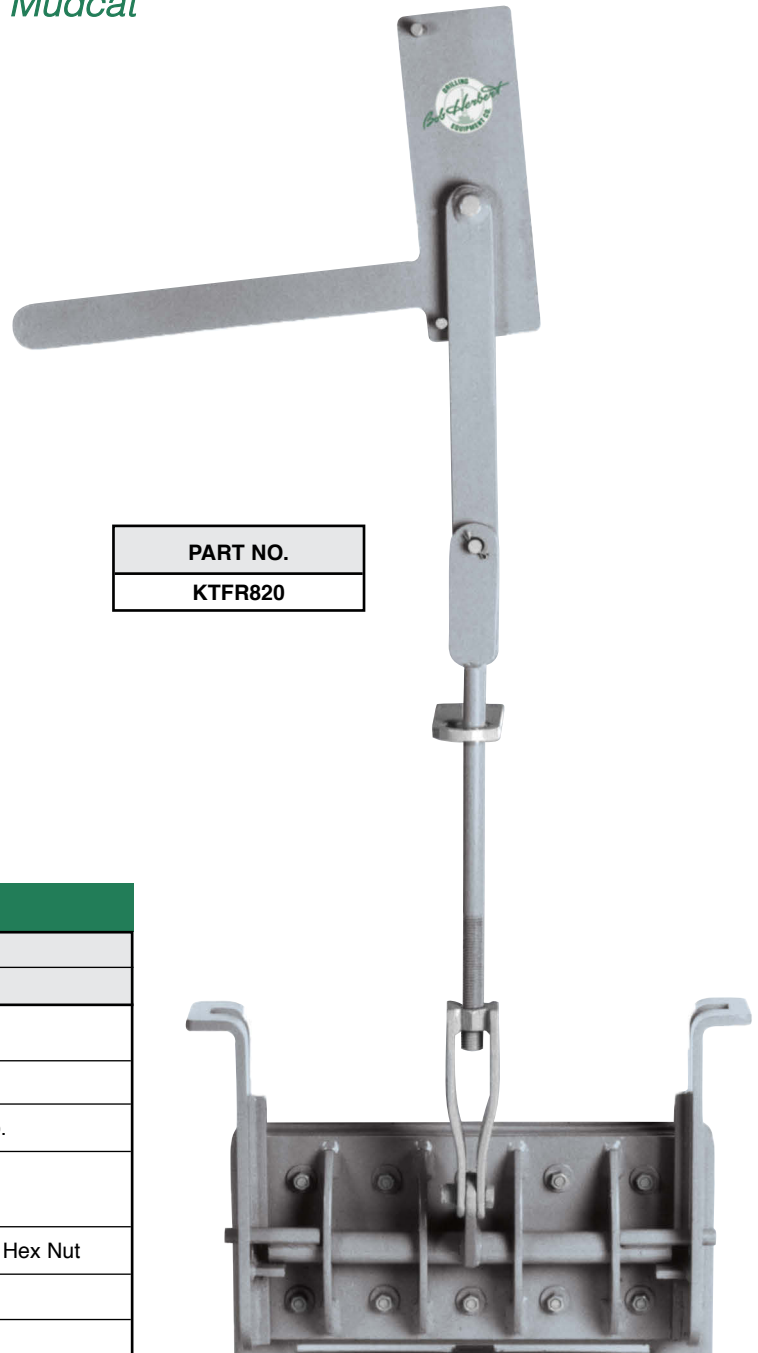
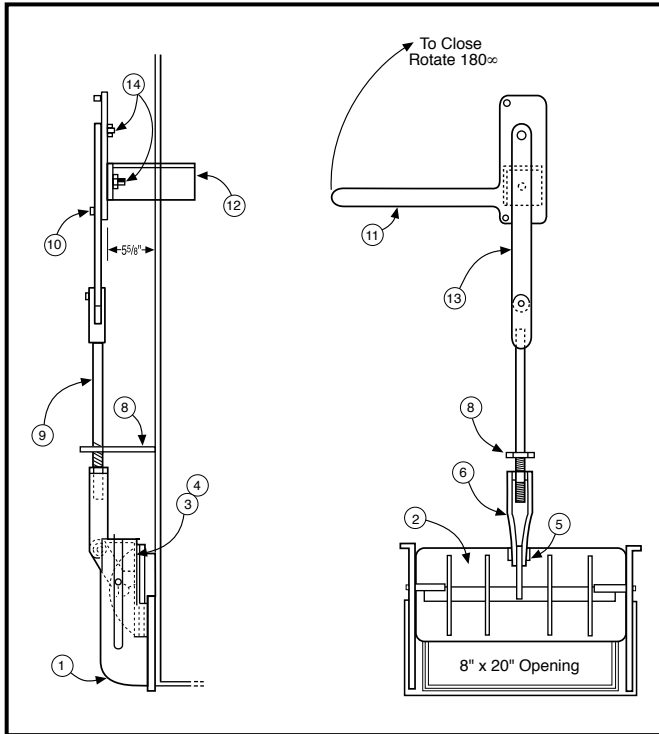


CLEANOUT GATES

The Mudcat



CLEANOUT GATES

MATERIAL LIST

ITEM	QUANTITY	DESCRIPTION
1	1	Tank Flange
2	1	Door
3	1	Neoprene Gasket 1/2" x 10" x 22", 50 Duro.
4	10	Slotted Counter Sunk HD. Machine Screw 1/2" NC. x 1/2" w/ 7 H.H. Nut & L.W.
5	1	Bolt 5/8" NC. x 2" w/ 7 Elastic Self Locking Hex Nut
6	1	Connector Yoke
7	1	H. Hex Nut 1" NC.
8	1	Guide Plate
9	1	Rod & Clevis
10	1	Connector Pin or Bolt 5/8" NC. x 2 1/2" w/ Elastic Self Locking Hex Nut
11	1	Lever
12	1	Mounting Bracket
13	1	Linkage
14	2	Hex Nut 5/8" NC. Elastic Self Locking



A DIVISION OF BOB HERBERT & ASSOCIATES, INC.
www.bhde.com