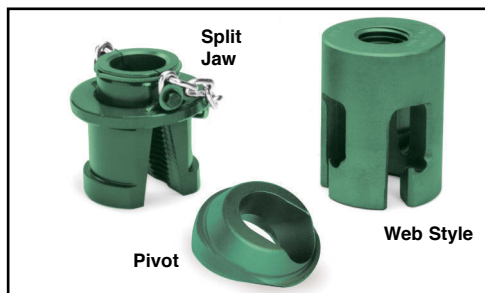


HYDRAULIC VALVE SEAT PULLER



Puller Heads are sold separately. Other types available. Please specify pump and seat type when ordering.

PULLER HEADS

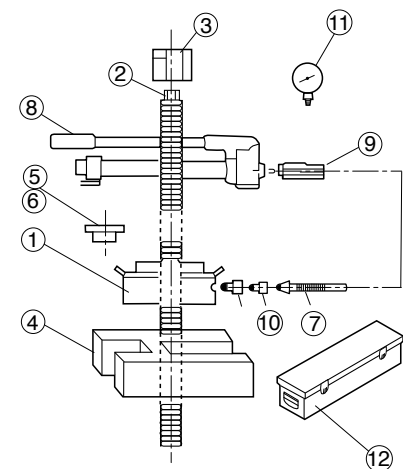
PART NO.	API SIZE	SEAT TYPE	DESCRIPTION
17005	5	4-Web	Mission Supreme Style
17006	6	4-Web	Mission Supreme Style
17007	7	4-Web	Mission Supreme Style
17008	8	4-Web	Mission Supreme Style
17R5	5	3-Web (02)	Reed-American Style
17R6	5-6	3-Web (02)	Reed-American Style
17R7D	6	3-Web (03)	Reed-American Style
17R7T	7	3-Web	Reed-American Style
17R8	8	3-Web	Reed-American Style
ND4PH	4	FO	Pivot, Roughneck Style
ND5PH	5	FO	Pivot, Roughneck Style
17RND6	6	FO	Pivot, Roughneck Style
17RND7	7	FO	Pivot, Roughneck Style
17H35SN	6	FO	Split Jaw, Roughneck Style
17H40SN	7	FO	Split Jaw, Roughneck Style
17H26SN	4	FO	Split Jaw, Roughneck Style

KIT – 1 1/2" CENTER STEM

ITEM	PART NO. 00100-A DESCRIPTION
1	Hydraulic Jack
2	32" Long Center Stem 1 1/2" 8TH
3	Center Stem Nut 1 1/2" 8TH
4	H-Block
5	Center Stem Bushing
6	10' Hydraulic Ram Hose
7	Hydraulic Hand Pump
8	Gauge Adapter
9	3/8" Quick Change Coupler
10	Gauge
11	Steel Carrying Case

KIT – 2" CENTER STEM

ITEM	PART NO. 00100 DESCRIPTION
1	Hydraulic Jack
2	36" Long Center Stem 2" 4 1/2 TH
3	Center Stem Nut 2" 4 1/2 TH
4	H-Block
5 & 6	Center Stem Bushings
7	10' Hydraulic Ram Hose
8	Hydraulic Hand Pump
9	Gauge Adapter
10	3/8" Quick Change Coupler
11	Gauge
12	Steel Carrying Case



A DIVISION OF BOB HERBERT & ASSOCIATES, INC.
www.bhde.com